

Technical data sheet



Product features

Display case heated 1x shelf 50x35

Model

SAP Code

00004951



- Device properties: Warmed
- Minimum device temperature [°C]: 30
- Maximum device temperature [°C]: 60
- Opening of device: Two-sided

SAP Code	00004951	Power electric [kW]	0.400
Net Width [mm]	504	Loading	230 V / 1N - 50 Hz
Net Depth [mm]	360	Minimum device temperature [°C]	30
Net Height [mm]	412	Maximum device temperature [°C]	60
Net Weight [kg]	9.00		

Technical data sheet



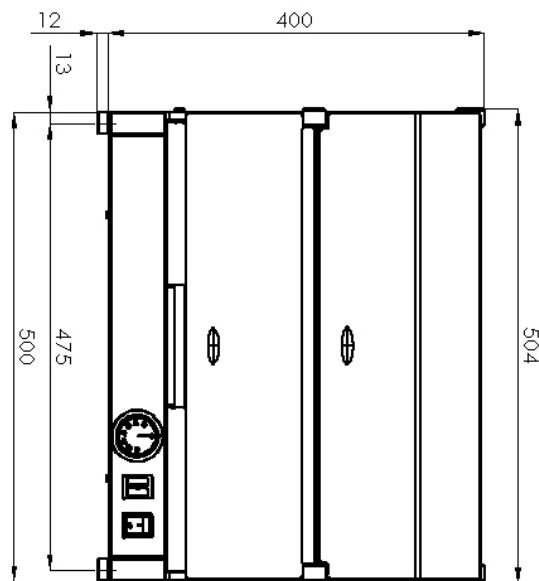
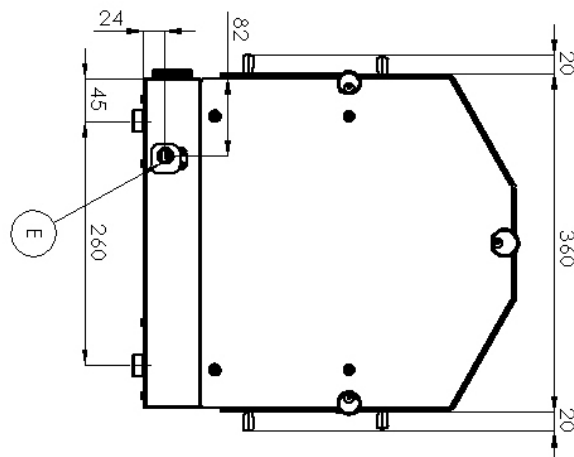
Technical drawing

Display case heated 1x shelf 50x35

Model

SAP Code

00004951



Technical data sheet



Technical parameters

Display case heated 1x shelf 50x35

Model

SAP Code

00004951

1. SAP Code:

00004951

2. Net Width [mm]:

504

3. Net Depth [mm]:

360

4. Net Height [mm]:

412

5. Net Weight [kg]:

9.00

6. Gross Width [mm]:

430

7. Gross depth [mm]:

550

8. Gross Height [mm]:

300

9. Gross Weight [kg]:

13.00

10. Device type:

Electric unit

11. Device properties:

Warmed

12. Power electric [kW]:

0.400

13. Loading:

230 V / 1N - 50 Hz

14. Minimum device temperature [°C]:

30

15. Maximum device temperature [°C]:

60

16. Opening of device:

Two-sided

17. Interior lighting:

No